

LO1 LENSES FOR OSRAM-OS DRAGON/DRAGON+ LEDs



- Specially designed for Osram-os Dragon/Dragon+ series of LEDs.
- Special care taken to make a uniform white or warm white illumination. Lenses work well with other colors, too.
- Lens material optical grade PMMA. Allows use of high current and temperature conditions
- Best available optical efficiency, more than 90%, with an extremely good cutoff of light
- Fastening of holden to PCB with appropriate adhesive, e.c. epoxy or polyurethane based. NOTE: DO NOT USE SUPERGLUE.

LENS TYPES

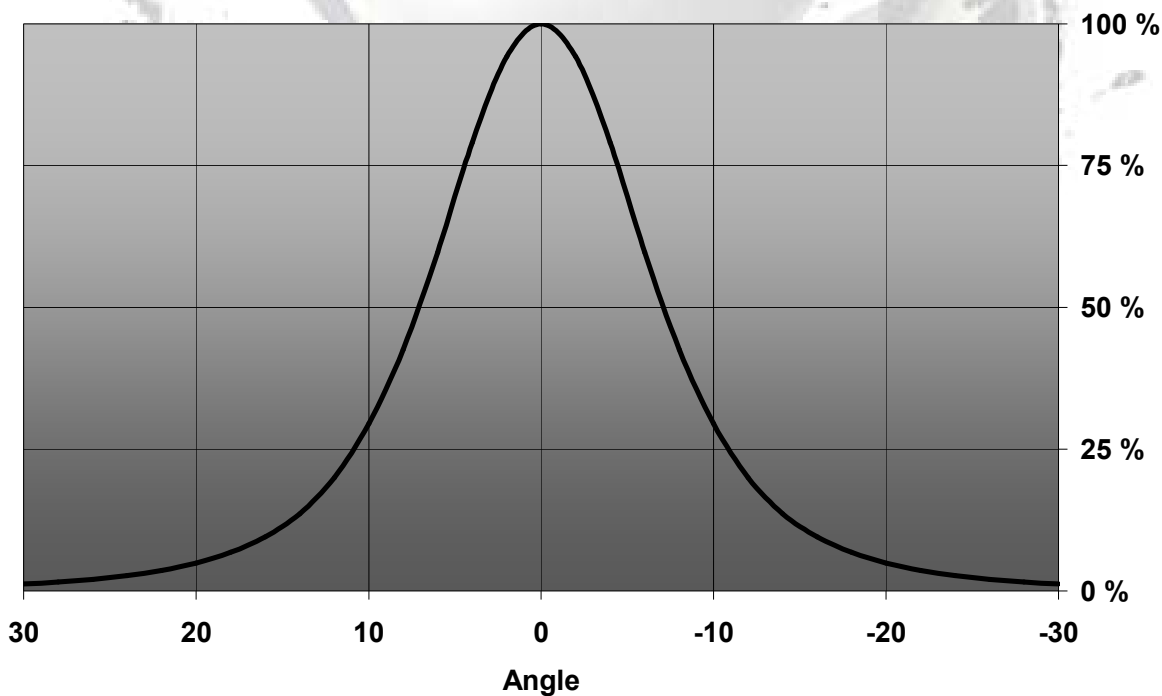
NAME	ORDERING CODE	FWHM Angle
LO1 REAL SPOT	LO1-RS (n. C10465)	N/A
LO1 DIFFUSER	LO1-D (n. C10463)	±6°
LO1 MEDIUM	LO1-M (n. C10464)	±12°
LO1 RECTANGULAR	LO1-REC (n. C10528)	±19° x ±11.5°

© Ledil Oy – PRELIMINARY - Subject to change without prior notice

MEASUREMENT DATA

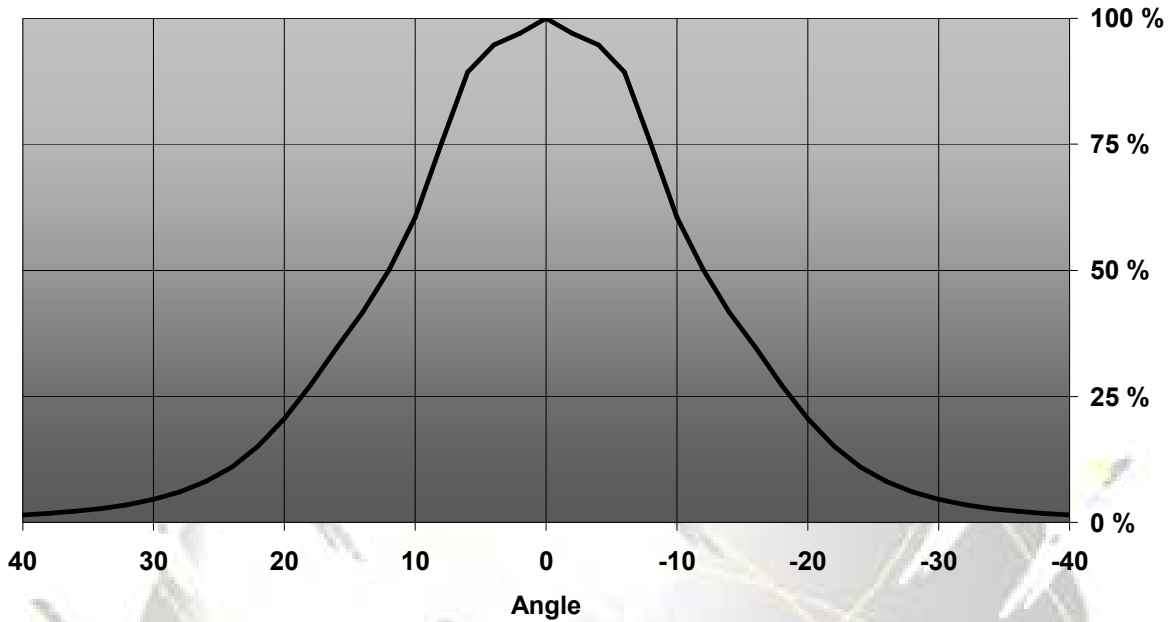
LO1-RS COMING SOON!

Relative Intensity of LO1-D

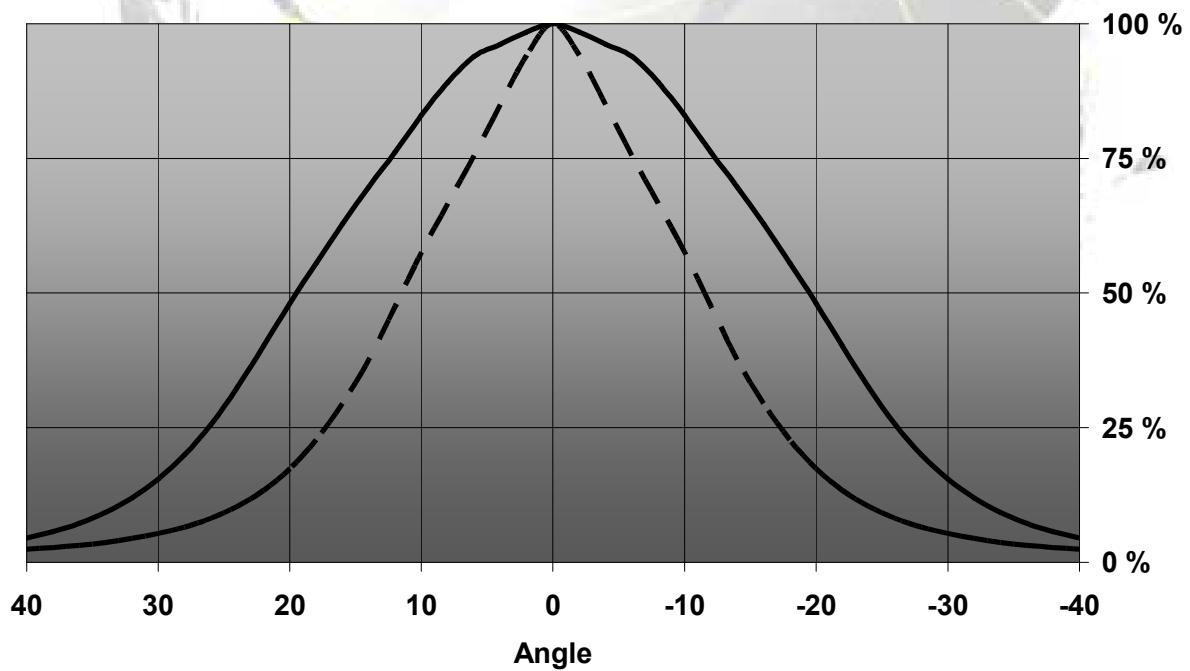


© Ledil Oy – PRELIMINARY - Subject to change without prior notice

Relative Intensity of LO1-M



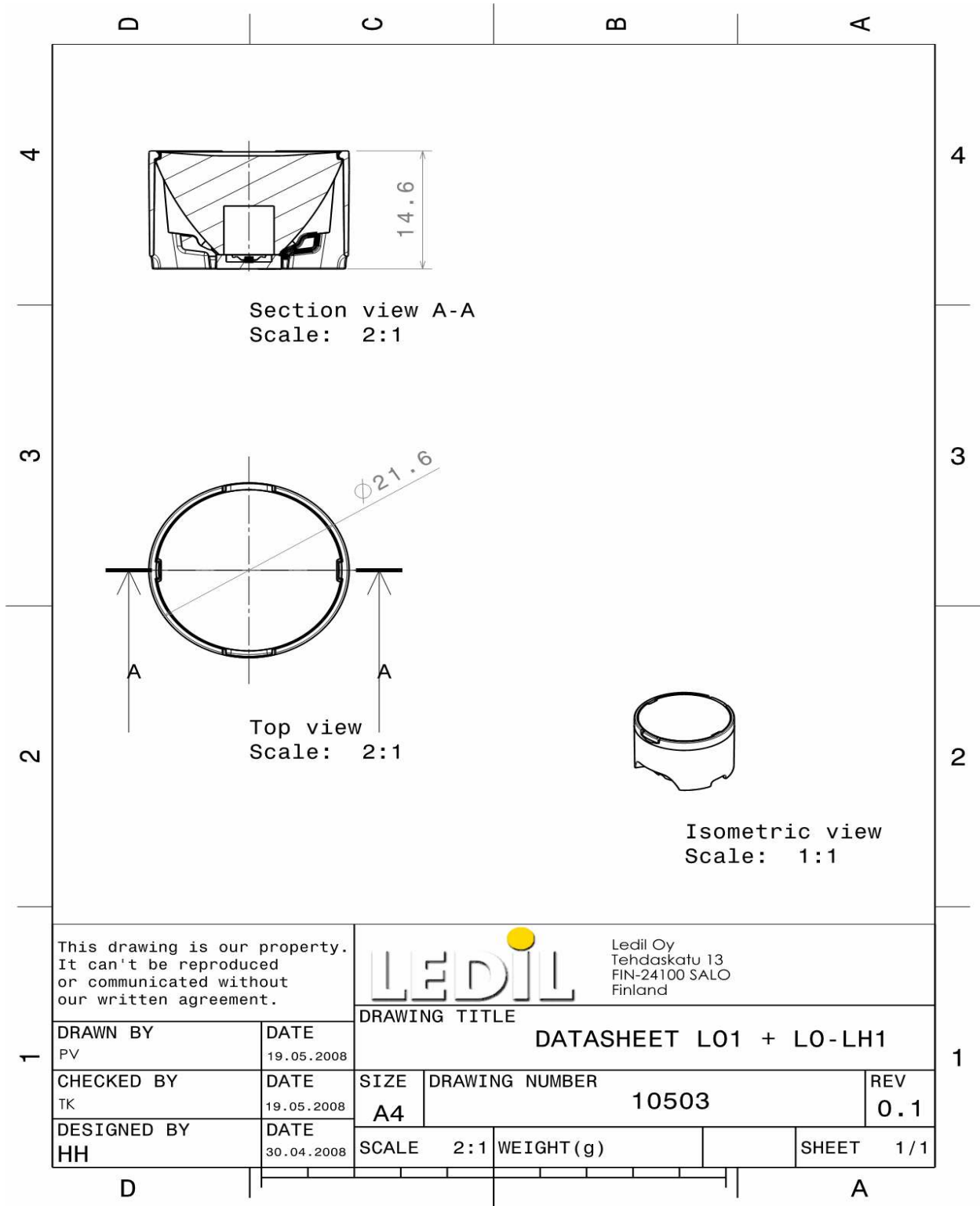
Relative Intensity of LO1-REC



— LO1-REC (horizontal) - - - LO1-REC (vertical)

© Ledil Oy – PRELIMINARY - Subject to change without prior notice

DRAWINGS



© Ledil Oy - PRELIMINARY - Subject to change without prior notice